

# GALAXY

## DATASHEET | SPECIFICATIONS



### CHARACTERISTIC

Modern LED luminaire, which is designed for urban districts and residential areas.

### USE

- Square
- City parks
- Cycle paths
- Road classes II. and III.
- Sidewalks

### TECHNICAL SPECIFICATIONS

#### ELECTRICAL PARAMETERS

Light source	» LED
AC voltage	» AC 220–240 V / 50–60 Hz
Connection	» leading out cable » leading out cable with connector (G)
Driver	» electronic driver with surge protection L/N-Ground 10 kV
Surge protection	» additional surge protection 10 kV (S)
Hedging	» fuse 6.3 A (J)
Dimming	» non-dimmable (not labeled) » DALI » night dimming (A) » preparation for wireless communication NEMA (N) » Zhaga (Z)
Constant luminous flux	» CLO (C)

#### LIGHT PARAMETERS

Optical system	» roads (Mxx) » roads (Lxx) » directional (Pxx) » area (Uxx) » combined optics (Kxx)
Light distribution	» direct
Color rendering index	» Ra > 70 » Ra > 80
Color temperature	» 2 200 K » 2 700 K » 3 000 K » 4 000 K » 5 000 K
Service life	» > 100 000 hours (L90B10)

#### CONSTRUCTION

Housing	» aluminum cast
Lamp design	» center position of the column (S4) » offset position of the column (A4)
Color	» RAL 7015
Surface	» mat
Cover	» tempered glass

#### SAFETY

Protection class	» I » II
Ambient operating temperature	» -40 / +55 °C
Ingress protection	» IP 66
Impact protection	» IK 09

#### MOUNTING

Method	» pole (48–67 mm) » possibility of tilting ± 20°
Recommended height	» up to 8 m



This luminaire contains built-in LED lamps.

The lamps cannot be changed in the luminaire.

A++

A+

A

C

D

}

LED

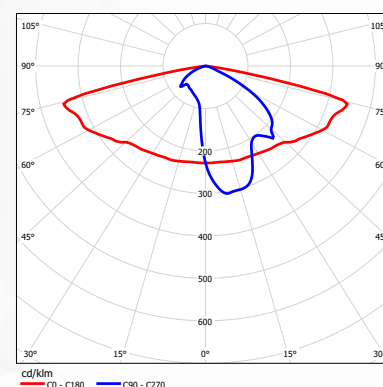
}

EU

ELEKTRO-LUMEN | GALAXY 874/2012

### LIGHT DISTRIBUTION CURVE

GALAXY M03



# VARIANTS

## DATASHEET GALAXY

VARIANTS (chip 3535)	POWER (W)				LUMINAIRE OUTPUT FLUX (lm)		LUMINAIRE EFFICIENCY (lm/W)	SERVICE LIFE (hrs.)	WEIGHT
	Color temperature (K)				min	max	Up to	L90B10	kg*
Catalog name	2200K Ra 70 U500 < 6.5%	2700K Ra 70 U500 < 10.5%	3000K Ra 70 U500 < 15%	4000K Ra 70 U500 < 23%					
GALAXY A4 Mxx 2k0	13,2	12,1	11,1	10,1	1 202	1 431	141,7	> 100 000	10.0
GALAXY A4 Mxx 3k0	19,8	17,6	16,6	15,3	1 802	2 147	140,3	> 100 000	10.0
GALAXY A4 Mxx 4k0	26,5	23,7	22,5	20,8	2 403	2 862	137,6	> 100 000	10.0
GALAXY A4 Mxx 5k0	33,2	29,1	27,9	26,1	3 004	3 578	137,1	> 100 000	10.0
GALAXY A4 Mxx 6k0	40	35,4	33,7	31,5	3 605	4 294	136,3	> 100 000	10.0
GALAXY A4 Mxx 7k0	46,2	41,6	39,4	37,1	4 206	5 009	135,0	> 100 000	10.0
GALAXY A4 Mxx 8k0	53,3	46,7	44,5	41,8	4 806	5 725	137,0	> 100 000	10.0
GALAXY A4 Mxx 9k0	60,4	52,7	50,1	47,3	5 407	6 440	136,2	> 100 000	10.0
GALAXY A4 Mxx 10k0	-	58,8	56,1	53,3	6 008	7 156	134,3	> 100 000	10.0
GALAXY S4 Mxx 2k0	13,2	12,1	11,1	10,1	1 185	1 446	143,2	> 100 000	10.0
GALAXY S4 Mxx 3k0	19,8	17,6	16,6	15,3	1 778	2 170	141,8	> 100 000	10.0
GALAXY S4 Mxx 4k0	26,5	23,7	22,5	20,8	2 370	2 893	139,1	> 100 000	10.0
GALAXY S4 Mxx 5k0	33,2	29,1	27,9	26,1	2 963	3 616	138,5	> 100 000	10.0
GALAXY S4 Mxx 6k0	40	35,4	33,7	31,5	3 556	4 339	137,7	> 100 000	10.0
GALAXY S4 Mxx 7k0	46,2	41,6	39,4	37,1	4 148	5 062	136,4	> 100 000	10.0
GALAXY S4 Mxx 8k0	53,3	46,7	44,5	41,8	4 741	5 786	138,4	> 100 000	10.0
GALAXY S4 Mxx 9k0	60,4	52,7	50,1	47,3	5 333	6 509	137,6	> 100 000	10.0
GALAXY S4 Mxx 10k0	-	58,8	56,1	53,3	5 926	7 232	135,7	> 100 000	10.0

\* The weight may vary slightly depending on the luminaire variant.

** Weight may vary depending on the luminaire variant
Luminaire ambient temperature TQ 25 °C
Initial color consistency: ≤ 5 SDCM
Optical and electrical parameters tolerance ± 10 %

When using the CLO function, the initial power and luminous flux is 10 % lower than the value shown in the table. LDT curves with CLO function have the letter "C" at the end of their marking.

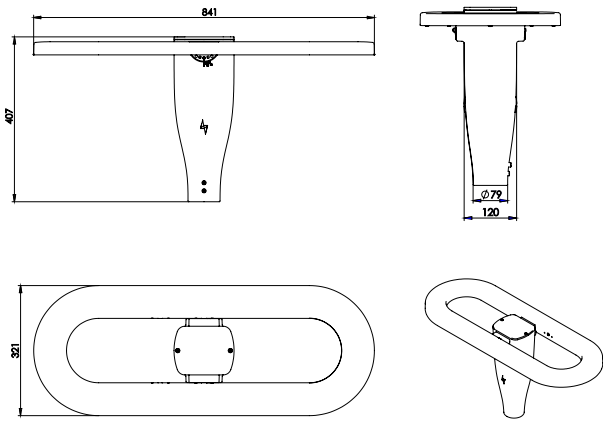
### S4 lamp design

### A4 lamp design

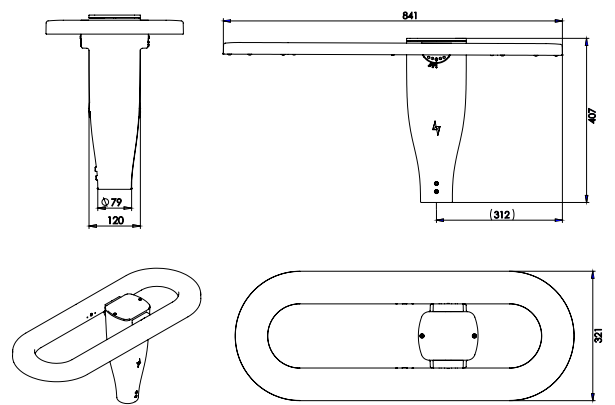


### DIMENSIONS

#### S4 lamp design



#### A4 lamp design



## LEGENDA

GALAXY A4 II M01 8k0 730 B124 45CAZ SJG H3S		
		<b>Name</b>
A4		Offset position of the column
S4		Center position of the column
<b>Class</b>		
Without marking		Class I
II		Class II
<b>Optical system</b>		
M01		Roads
L01		Roads
P01		Reflector
U01		Area
ZP1/ZL1		Transitional
K01		Combined optics
<b>performance variant (source)</b>		
Ra 70 / 3 000 K		
<b>LED module marking</b>		
B		Osram Brick
1		LED module type
2		Performance BIN of the chip
4		Mask version
<b>Driver type</b>		
43	OSRAM 4DIM (DALI) + 3 pole terminal block	
45	OSRAM 4DIM (DALI) + 5 pole terminal block	
45P	OSRAM 4DIM (DALI) + 5 pole terminal block + presence detection	
4	OSRAM 4 DIM	
1	OSRAM 1DIM (neDALI)	
D	OSRAM DX – Dexal (for Zhaga connector)	
C	Constant luminous flux (CLO)	
A	AstroDim	
Z	Zhaga connector, 4 pin (Dexal driver)	
N	NEMA connector, 7 pin (4DIM driver)	
S	Surge protection 10 kV	
J	Fuse 6,3 A	
G	Gesis connector	
H	H05(07)RN-F cable (1 mm <sup>2</sup> )	
C	CYKY cable (1,5 mm <sup>2</sup> )	
2	2 core cable	
3	3 core cable	
5	5 core cable	
S	Standard – 25 cm length of cable (led out of the luminaire)	
1	1 meter (length in whole meters)	