

# MARUT L G2

## DATASHEET | SPECIFICATIONS



### TECHNICAL SPECIFICATIONS

#### ELECTRICAL PARAMETERS

Light source	» LED
AC voltage	» AC 220–240 V / 50–60 Hz
Connection	» leading out cable » leading out cable with connector (G) » without cable (WO)
Driver	» electronic driver with surge protection L/N-Ground 10 kV
Surge protection	» additional surge protection 10 kV (S)
Fuse	» fuse 6,3 A (J)
Dimming	» non-dimmable (not labeled) » DALI (DALI) » night dimming (A) » preparation for wireless communication NEMA (N) » Zhaga (Z)
Constant lumen output	» CLO (C)

#### LIGHT PARAMETERS

Optical system	» roads (Mxx) » roads (Lxx) » directional (Pxx) » area (Uxx) » pedestrian crossing (ZLx/ZPx) » combined optics (Kxx) » BACK light shades (BL1/BL2) » FRONT light shades (FL1/FL2)
Light distribution	» direct
Color rendering index	» Ra > 70 » Ra > 80
Color temperature	» BLUE FREE (AMBER) » 2 200 K » 2 700 K » 3 000 K » 4 000 K » 5 000 K » 5 700 K » TW
Service life	» > 100 000 hours (L90B10)

#### CONSTRUCTION

Housing	» aluminum cast
Color	» RAL 7015/9006
Surface	» matte
Cover	» tempered glass

#### SAFETY

Protection class	» I » II
Ambient operating temperature	» -40 / +55 °C
Ingress protection	» IP 66
Impact protection	» IK 09
EMC	» YES
Vibration test	» YES
Corrosion test	» YES
Certification	» ENEC » ENEC+ » Zhaga-D4i » IDA Dark Sky Approved
RoHS	» YES
REACH	» YES

#### MOUNTING

Method	» pole or outrigger (48–60 mm) » adapter (60–76) (on request) » adjustable joint ± 15°
Recommended height	» up to 12 m
Additional equipment	» external shades CPZ (on order)

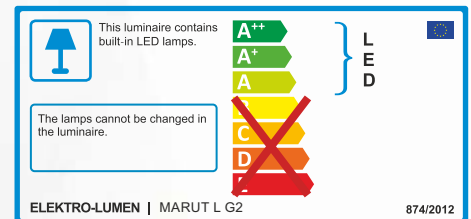
### CHARACTERISTIC

Elegant outdoor LED luminaire with an integrated surge protection and adjustable joint with the possibility of integration into “Smart City”.

### USE

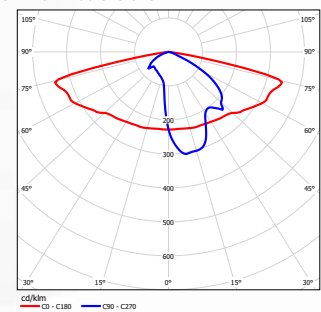
Road classes I., II. and III.

Outdoor areas



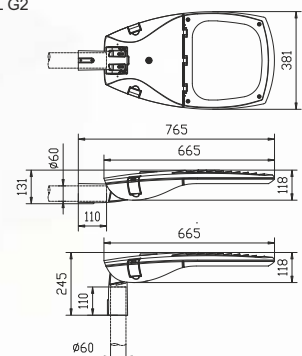
### LIGHT DISTRIBUTION CURVE

MARUT L G2 M03 8k0 840



### DIMENSIONS

MARUT L G2



# VARIANTS

## DATASHEET MARUT L G2

VARIANTS (chip 3535)	POWER (W)				LUMINAIRE OUTPUT FLUX (lm)		LUMINAIRE EFFICIENCY (lm/W)	SERVICE LIFE (hrs.)	WEIGHT
	Color temperature (K)								
Catalog name	2200K (Ra 70)	2700K (Ra 70)	3000K (Ra 70)	4000K (Ra 70)	min	max	Up to	L90B10	kg*
MARUT L G2 Mxx 7k0	50,9	44,2	41,6	39,2	5 856	6 477	165,2	> 100 000	9.6
MARUT L G2 Mxx 8k0	59,5	51,4	48,2	45,4	6 693	7 402	163,0	> 100 000	9.6
MARUT L G2 Mxx 9k0	68,2	59	55,4	52,3	7 529	8 328	159,2	> 100 000	9.6
MARUT L G2 Mxx 10k0	71,3	66,6	62,5	58,9	8 366	9 253	157,1	> 100 000	9.6
MARUT L G2 Mxx 12k0	88,3	76,2	71,3	67,3	10 039	11 104	165,0	> 100 000	9.6
MARUT L G2 Mxx 14k0	106	91,3	85,5	80,7	11 712	12 954	160,5	> 100 000	9.6
MARUT L G2 Mxx 15k0	-	98,9	92,6	87,3	12 549	13 880	159,0	> 100 000	9.6
MARUT L G2 Mxx 16k0	-	107	99,6	94,1	13 386	14 805	157,3	> 100 000	9.6
MARUT L G2 Mxx 18k0	-	-	115,5**	108	15 059	16 655	154,2	> 100 000	9.6

VARIANTS (chip 5050)	POWER (W)					LUMINAIRE OUTPUT FLUX (lm)		LUMINAIRE EFFICIENCY (lm/W)	SERVICE LIFE (hrs.)	WEIGHT
	Color temperature (K)									
Catalog name	BLUE FREE (AMBER)	2200K (Ra 70)	2700K (Ra 70)	3000K (Ra 70)	4000K (Ra 70)	min	max	Up to	L90B10	kg*
MARUT L G2 Lxx 7k0	46,6	46,2	42,3	39	37,2	6 124	6 621	178,0	> 100 000	9.6
MARUT L G2 Lxx 8k0	54,1	53,7	48,4	44,7	42,5	6 999	7 566	178,0	> 100 000	9.6
MARUT L G2 Lxx 9k0	61,9	60,6	55,4	51,2	48,3	7 874	8 512	176,2	> 100 000	9.6
MARUT L G2 Lxx 10k0	66,3	65,2	62,3	57,4	54,3	8 749	9 458	174,2	> 100 000	9.6
MARUT L G2 Lxx 12k0	81	79,6	76,9	70,8	66,7	10 499	11 350	170,2	> 100 000	9.6
MARUT L G2 Lxx 14k0	96,6	93,8	85,3	78,8	74,5	12 249	13 241	177,7	> 100 000	9.6
MARUT L G2 Lxx 15k0	104,6	101,5	92,3	85	80,4	13 124	14 187	176,5	> 100 000	9.6
MARUT L G2 Lxx 16k0	111,1	109,4	99,4	91,7	86,4	13 998	15 133	175,2	> 100 000	9.6
MARUT L G2 Lxx 18k0	-	-	-	105	98,9	15 748	17 024	172,1	> 100 000	9.6

VARIANTS PEDESTRIAN CROSSINGS (chip 3535)	POWER (W)					LUMINAIRE OUTPUT FLUX	LUMINAIRE EFFICIENCY (lm/W)	SERVICE LIFE (hrs.)	WEIGHT
	Color temperature (K)								
Catalog name	2700K (Ra 70)	3000K (Ra 70)	4000K (Ra 70)	5000K (Ra 70)	5700K (Ra 70)	lm	Up to	L90B10	kg*
MARUT L G2 Mxx ZL03 9k0	54,6	51,3	48,4	47,8	49	8 041	168,2	> 100 000	9.6
MARUT L G2 Mxx ZL04 9k0	54,6	51,3	48,4	47,8	49	7 961	166,5	> 100 000	9.6
MARUT L G2 Mxx ZL06 9k0	54,6	51,3	48,4	47,8	49	7 851	164,2	> 100 000	9.6
MARUT L G2 Mxx ZP01 9k0	54,6	51,3	48,4	47,8	49	8 078	169,0	> 100 000	9.6
MARUT L G2 Mxx ZP02 9k0	54,6	51,3	48,4	47,8	49	8 080	169,0	> 100 000	9.6
MARUT L G2 Mxx ZP03 9k0	54,6	51,3	48,4	47,8	49	8 041	168,2	> 100 000	9.6
MARUT L G2 Mxx ZP06 9k0	54,6	51,3	48,4	47,8	49	7 851	164,2	> 100 000	9.6
MARUT L G2 Mxx ZL03 12k0	76,2	71,3	67,3	66,3	67,7	10 721	161,7	> 100 000	9.6
MARUT L G2 Mxx ZL04 12k0	76,2	71,3	67,3	66,3	67,7	10 614	160,1	> 100 000	9.6
MARUT L G2 Mxx ZL06 12k0	76,2	71,3	67,3	66,3	67,7	10 468	157,9	> 100 000	9.6
MARUT L G2 Mxx ZP01 12k0	76,2	71,3	67,3	66,3	67,7	10 770	162,4	> 100 000	9.6
MARUT L G2 Mxx ZP02 12k0	76,2	71,3	67,3	66,3	67,7	10 774	162,5	> 100 000	9.6
MARUT L G2 Mxx ZP03 12k0	76,2	71,3	67,3	66,3	67,7	10 721	161,7	> 100 000	9.6
MARUT L G2 Mxx ZP06 12k0	76,2	71,3	67,3	66,3	67,7	10 468	157,9	> 100 000	9.6
MARUT L G2 Mxx ZL03 15k0	98,9	92,6	87,3	86,7	87,5	13 401	154,6	> 100 000	9.6
MARUT L G2 Mxx ZL04 15k0	98,9	92,6	87,3	86,7	87,5	13 268	153,0	> 100 000	9.6
MARUT L G2 Mxx ZL06 15k0	98,9	92,6	87,3	86,7	87,5	13 085	150,9	> 100 000	9.6
MARUT L G2 Mxx ZP01 15k0	98,9	92,6	87,3	86,7	87,5	13 463	155,3	> 100 000	9.6
MARUT L G2 Mxx ZP02 15k0	98,9	92,6	87,3	86,7	87,5	13 467	155,3	> 100 000	9.6
MARUT L G2 Mxx ZP03 15k0	98,9	92,6	87,3	86,7	87,5	13 401	154,6	> 100 000	9.6
MARUT L G2 Mxx ZP06 15k0	98,9	92,6	87,3	86,7	87,5	13 085	150,9	> 100 000	9.6

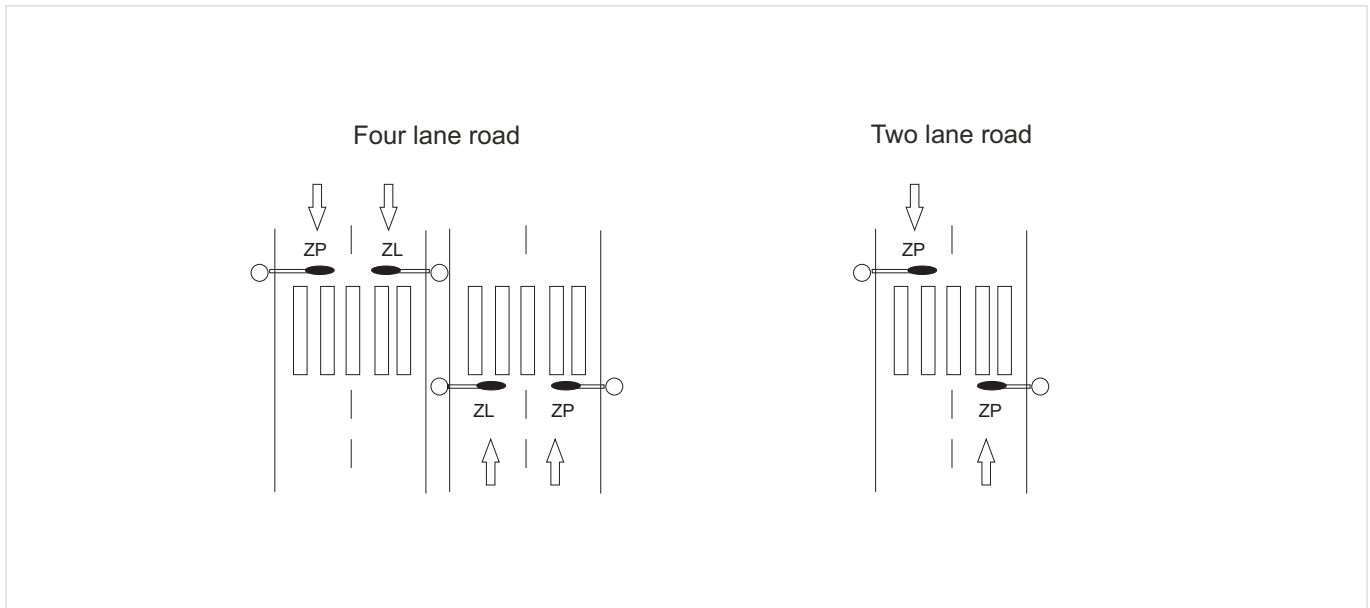
\* The weight may vary slightly depending on the luminaire variant.

\*\* Can not be produced under ENEC licence.

Luminaire ambient temperature TQ 25 °C
Initial color consistency: $\leq 5$ SDCM
Optical and electrical parameters tolerance $\pm 10\%$
IDA Dark Sky fixture seal of approval relates to $\leq 3\,000$ K
To meet IDA requirements, the luminaires must be installed horizontally with the road

When using the CLO function, the initial power and luminous flux is 10 % lower than the value shown in the table. LDT curves with CLO function have the letter "C" at the end of their marking.

The term BLUE FREE (AMBER) in lighting technology refers to light with a minimum amount of the blue part of the light spectrum ( $< 2\%$ ).



## CODE DESCRIPTION

MARUTL	II	G2	M01BL2	8k0	730	B124	45CAZ	SJG	H3S	ENEC		
											Name	
											Class	
											Without marking	Class I
											II	Class II
											Luminaire generation	
											Optical system	
											M01	Roads
											L01	Roads
											P01	Directional
											U01	Area
											ZP1/ZL1	Pedestrian crossings
											K01	Combined optics
											BL1/BL2	BACK light shades
											Luminous flux marking (source)	
											Ra 70 / 3 000 K	
											LED module marking	
											B	LED module type
											1	
											2	
											4	Mask type
											Driver type	
											43	DALI driver + 3 pole terminal block
											45	DALI driver + 5 pole terminal block
											45P	DALI driver + 5 pole terminal block + presence detection
											4	DALI driver
											1	on/off driver
											D	D4i driver - (for Zhaga connector)
											C	Constant luminous flux (CLO)
											A	AstroDim
											Z	Zhaga connector, 4 pin (D4i driver)
											N	NEMA connector, 7 pin (DALI driver)
											S	Surge protection 10 kV
											J	Fuse 6,3 A
											G	Gesis connector
											H	H05(07)RN-F cable (1 mm <sup>2</sup> )
											C	CYKY cable (1,5 mm <sup>2</sup> )
											WO	Without cable
											2	2 core cable
											3	3 core cable
											5	5 core cable
											S	Standard – 25 cm length of cable (led out of the luminaire)
											1	1 meter (length in whole meters)
											ENEC certification	