

NITA

DATASHEET | SPECIFICATIONS



CHARACTERISTIC

LED reflector for building lighting.

USE

Building lighting

TECHNICAL SPECIFICATIONS

ELECTRICAL PARAMETERS

Light source	» LED
AC voltage	» AC 220–240 V / 50–60 Hz
Connection	» terminal block
Driver	» electronic driver
Dimming	» non-dimmable (not labeled)
Emergency module	» NO

LIGHT PARAMETERS

Optical system	» building lighting
Light distribution	» direct
Color rendering index	» Ra > 70
Color temperature	» 4 000 K
Service life	» > 60 000 hours (L70B50)

CONSTRUCTION

Housing	» aluminum cast
Color	» RAL 9007
Surface	» mat
Cover	» safety glass (no label) » IK09

SAFETY

Protection class	» I
Ambient operating temperature	» max. -30 / +40 °C
Electrical part protection	» IP 66
Optical part protection	» IP 66
Mounting on normally flammable materials	» YES

MOUNTING

Type	» bracket for surface mounting (part of the luminaire)
Recommended height	» from 6 to 15 m

ACCESSORIES

Clips	» NO
-------	------



This luminaire contains built-in LED lamps.

The lamps cannot be changed in the luminaire.

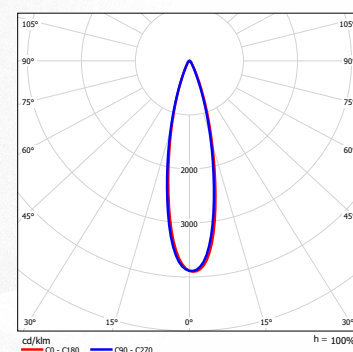
A++
A+
A
C
D

LED

ELEKTRO-LUMEN | NITA 874/2012

LIGHT DISTRIBUTION CURVE

NITA S 3k7 740



VARIANTS

DATASHEET NITA

TYPE	POWER	LUMINOUS FLUX	COLOR TEMPERATURE	SERVICE LIFE	WEIGHT
Name	Watt (W)	Lumen (lm)	Kelvin (K)	L70B50 (hrs.)	Kilogram (kg)
NITA S ... 3k7 740	39,1	3 700	4 000	> 60 000	3,6
NITA M ... 7k5 740	75,0	7 500	4 000	> 60 000	5,7

LEGEND

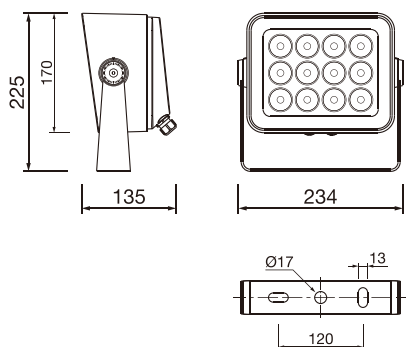
NITA M 7k5 740

	name
	size light
	luminous flux 7 500 lm
	color rendering index Ra > 70, color temperature 4 000 K

Optical and electrical parameters tolerance $\pm 10\%$

DIMENSIONS

NITA S



NITA M

