

ELEKTRA S

DATASHEET | SPECIFICATIONS



TECHNICAL SPECIFICATIONS

ELECTRICAL PARAMETERS	
Light source	» LED
AC voltage	» AC 220–240 V / 50–60 Hz
Connection	» leading out cable » leading out cable with connector (G) » without cable (WO)
Driver	» electronic driver with surge protection L/N-Ground 10 kV
Surge protection	» additional surge protection 10 kV (S)
Fuse	» fuse 6,3 A (J)
Dimming	» non-dimmable (not labeled) » DALI (DALI) » night dimming (A) » preparation for wireless communication NEMA (N) » Zhaga (Z) or 2x Zhaga (Z2)
Constant lumen output	» CLO (C)
LIGHT PARAMETERS	
Optical system	» roads (Mxx) » roads (Lxx) » directional (Pxx) » area (Uxx) » combined optics (Kxx) » BACK Light shades (BL1/BL2) » FRONT Light shades (FL1/FL2)
Light distribution	» direct
Color rendering index	» Ra > 70 » Ra > 80
Color temperature	» BLUE FREE (AMBER) » 2 200 K » 2 700 K » 3 000 K » 4 000 K » 5 000 K » 5 700 K » TW
Service life	» > 120 000 hrs. (L90)
CONSTRUCTION	
Housing	» aluminum cast
Color	» RAL 7015/9006 » other RAL (on request)
Surface	» matte
Cover	» tempered glass
SAFETY	
Protection class	» I » II
Ambient operating temperature	» max. -40 / +55 °C
Ingress protection	» IP 66
Impact protection	» IK 09 » IK 10
EMC	» YES
Vibration test	» YES
Static load test	» YES
Corrosion test – Salty spray	» YES (1 500 hours)
Life test	» YES
Certification	» ENEC » ENEC+ » Zhaga-D4i » IDA Dark Sky Approved
CB mark	» YES
RoHS	» YES
REACH	» YES
MOUNTING	
Method	» pole or outrigger (48–60 mm) » adapter (60–76) (on request) » adjustable joint ± 20°
Recommended height	» up to 8 m
Additional equipment	» external shades (CPZ) - on order

CHARACTERISTIC

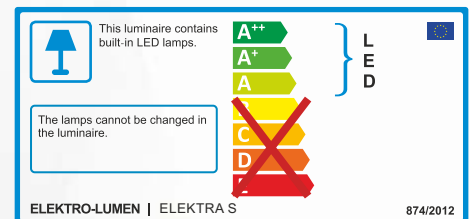
Modern outdoor LED luminaire with integrated surge protection and adjustable joint ± 20°.

USE

Pedestrian zones Outdoor areas

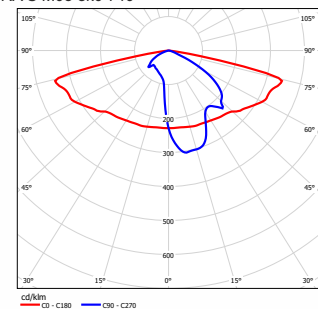
Road classes I., II. and III.

Sidewalks Cycle paths



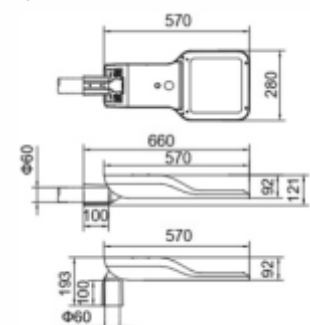
LIGHT DISTRIBUTION CURVE

ELEKTRA S M03 8k0 740



DIMENSIONS

ELEKTRA S



VARIANTS

DATASHEET ELEKTRA S

VARIANTS (chip 3535)	POWER (W)				LUMINAIRE OUTPUT FLUX (lm)		LUMINAIRE EFFICIENCY (lm/W)	SERVICE LIFE (hrs.)	WEIGHT
	Color temperature (K)								
Catalog name	2200K (Ra 70)	2700K (Ra 70)	3000K (Ra 70)	4000K (Ra 70)	min	max	Up to	L90B10	kg*
ELEKTRA S Mxx 1k0	7,8	7,1	6,9	6,5	825	963	148,2	> 120 000	4.8
ELEKTRA S Mxx 1k5	11,8	10,4	9,9	9,4	1 237	1 445	153,7	> 120 000	4.8
ELEKTRA S Mxx 2k0	14,5	12,8	12,3	11,7	1 649	1 926	164,6	> 120 000	4.8
ELEKTRA S Mxx 2k5	18,1	16,1	15,1	14,7	2 061	2 408	163,8	> 120 000	4.8
ELEKTRA S Mxx 3k0	22,6	19,5	18,3	17,5	2 474	2 890	165,1	> 120 000	4.8
ELEKTRA S Mxx 3k5	26,4	23,4	21,7	20,7	2 886	3 371	162,9	> 120 000	4.8
ELEKTRA S Mxx 4k0	30,6	27,1	25,1	23,9	3 298	3 853	161,2	> 120 000	4.8
ELEKTRA S Mxx 5k0	39,6	34,3	32,1	30,6	4 123	4 816	157,4	> 120 000	4.8
ELEKTRA S Mxx 6k0	45,3	42,6	39,5	37,4	4 947	5 779	154,5	> 120 000	4.8
ELEKTRA S Mxx 7k0	53,7	46,2	43,9	41,3	5 772	6 742	163,2	> 120 000	4.8
ELEKTRA S Mxx 8k0	58,4	54	51,1	47,7	6 596	7 706	161,6	> 120 000	4.8
ELEKTRA S Mxx 9k0	66,9	57,8	59,1	54,7	7 421	8 669	158,5	> 120 000	4.8
ELEKTRA S Mxx 10k0	-	65,4	61,4	57,8	8 245	9 632	166,6	> 120 000	4.8
ELEKTRA S Mxx 11k0	-	-	68,5	64,6	9 070	10 595	164,0	> 120 000	4.8

VARIANTS (chip 5050)	POWER (W)					LUMINAIRE OUTPUT FLUX (lm)		LUMINAIRE EFFICIENCY (lm/W)	SERVICE LIFE (hrs.)	WEIGHT
	Color temperature (K)									
Catalog name	BLUE FREE (AMBER)	2200K (Ra 70)	2700K (Ra 70)	3000K (Ra 70)	4000K (Ra 70)	min	max	Up to	L90B10	kg*
ELEKTRA S Lxx 1k0	7,6	7,6	7,1	6,6	6,4	848	945	147,7	> 120 000	4.8
ELEKTRA S Lxx 1k5	11,3	10,9	10,3	9,5	9,3	1 271	1 418	152,5	> 120 000	4.8
ELEKTRA S Lxx 2k0	14,2	13,8	12,6	12	11,4	1 695	1 891	165,9	> 120 000	4.8
ELEKTRA S Lxx 2k5	17,6	17,2	15,6	14,6	14	2 119	2 363	168,8	> 120 000	4.8
ELEKTRA S Lxx 3k0	21,1	20,7	18,9	17,7	16,9	2 543	2 836	167,8	> 120 000	4.8
ELEKTRA S Lxx 3k5	24,6	24,1	22,3	20,6	19,6	2 967	3 309	168,8	> 120 000	4.8
ELEKTRA S Lxx 4k0	28,2	27,7	25,5	23,6	22,6	3 390	3 781	167,3	> 120 000	4.8
ELEKTRA S Lxx 5k0	35,8	35,1	32,3	29,8	28,2	4 238	4 727	167,6	> 120 000	4.8
ELEKTRA S Lxx 6k0	41,1	40,5	39,4	36,3	34,3	5 086	5 672	165,4	> 120 000	4.8
ELEKTRA S Lxx 7k0	48,4	47,5	43,3	40,9	38,2	5 933	6 617	173,2	> 120 000	4.8
ELEKTRA S Lxx 8k0	53,4	52,5	50,4	46,9	44,3	6 781	7 562	170,7	> 120 000	4.8
ELEKTRA S Lxx 9k0	60,9	59,9	57,8	53,2	50,1	7 628	8 508	169,8	> 120 000	4.8
ELEKTRA S Lxx 10k0	-	67,4	61,3	60,2	56,6	8 476	9 453	167,0	> 120 000	4.8
ELEKTRA S Lxx 11k0	-	-	68,3	63	59,6	9 324	10 398	174,5	> 120 000	4.8
ELEKTRA S Lxx 12k0	-	-	-	69,4	65,7	10 171	11 344	172,7	> 120 000	4.8

* The weight may vary slightly depending on the luminaire variant.

Luminaire ambient temperature TQ 25 °C
Initial color consistency: ≤ 5 SDCM
IDA Dark Sky fixture seal of approval relates to ≤ 3 000 K
To meet IDA requirements, the luminaires must be installed horizontally with the road
Optical and electrical parameters tolerance ± 10 %

When using the CLO function, the initial power and luminous flux is 10 % lower than the value shown in the table. LDT curves with CLO function have the letter "C" at the end of their marking.

The term BLUE FREE (AMBER) in lighting technology refers to light with a minimum amount of the blue part of the light spectrum (< 2%).

CODE DESCRIPTION

ELEKTRA S	II	M01	BL2	8k0	730	B124	45CAZ2	SJG	H3S	ENEC	
Name											
Class											
Without marking											Class I
II											Class II
Luminaire generation											
M01											Roads
L01											Roads
P01											Directional
U01											Area
ZP1/ZL1											Pedestrian crossings
K01											Combined optics
BL1/BL2											BACK Light shades
Luminous flux marking (source)											
Ra 70 / 3 000 K											
LED module marking											
B											TYP LED module
1											
2											
4											Mask type
Driver type											
43											DALI driver + 3 pole terminal block
45											DALI driver + 5 pole terminal block
45P											DALI driver + 5 pole terminal block + presence detection
4											DALI driver
1											on/off driver
D											D4i driver (for Zhaga connector)
C											Constant luminous flux (CLO)
A											AstroDim
Z											Zhaga konektor, 4 pin (D4i driver)
Z2											2x Zhaga konektor, 4 pin (D4i driver)
N											NEMA connector, 7 pin (DALI driver)
S											Surge protection
J											Fuse 6,3 A
G											Gesis connector
H											H05(07)RN-F cable (1 mm ²)
C											CYKY cable (1,5 mm ²)
WO											Without cable
2											2 core cable
3											3 core cable
5											5 core cable
S											Standard – 25 cm length of cable (led out of the luminaire)
1											1 meter (length in whole meters)
ENEC certification											